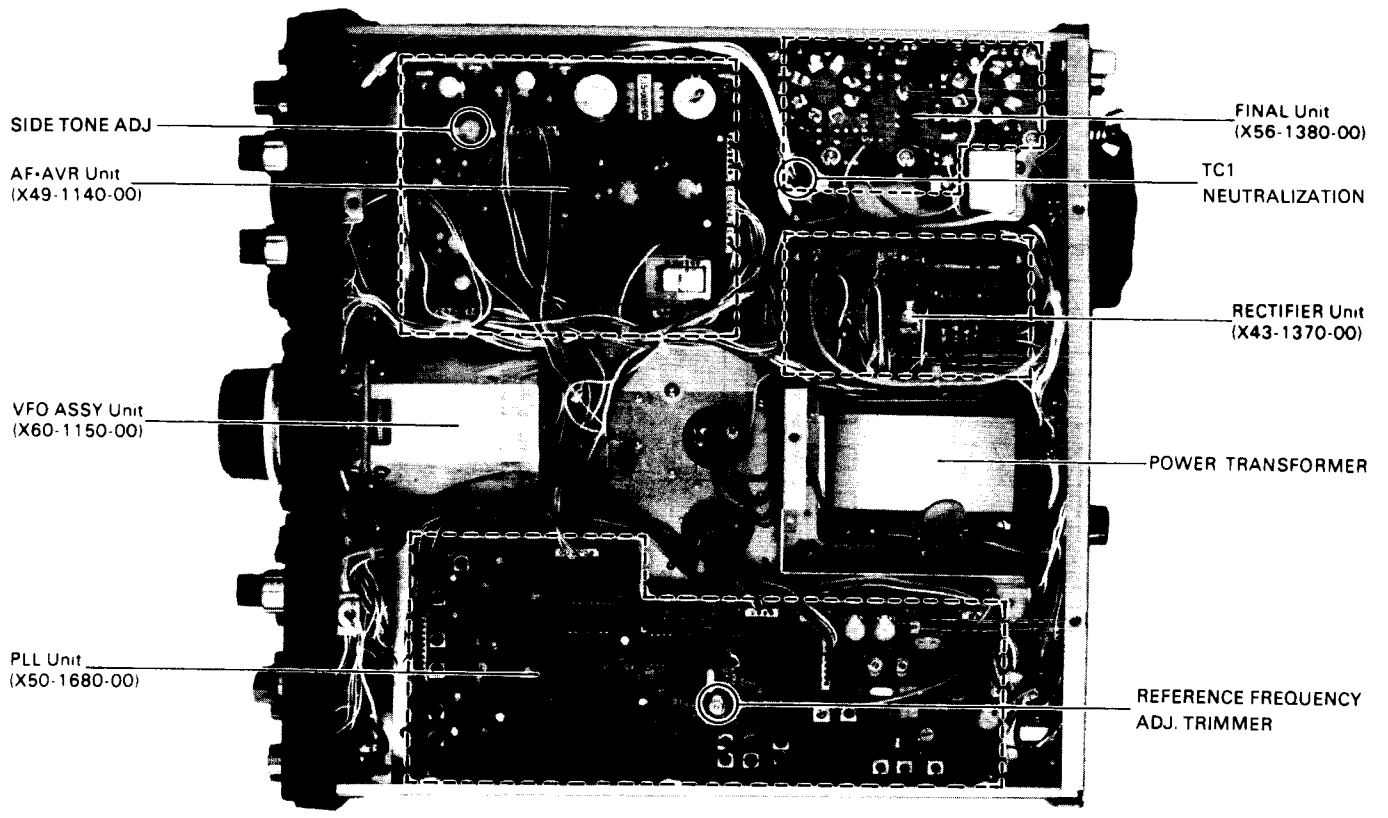
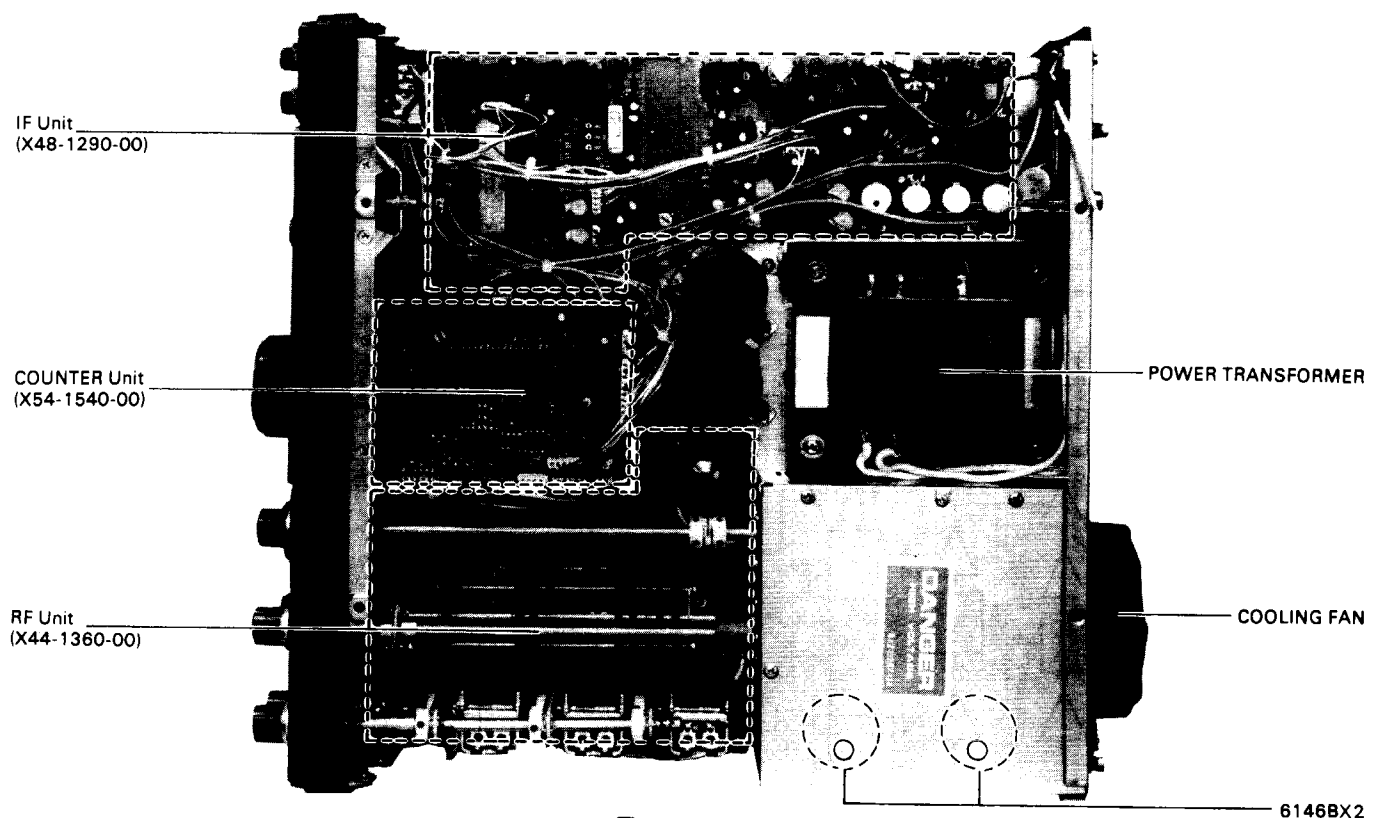


INTERNAL VIEW

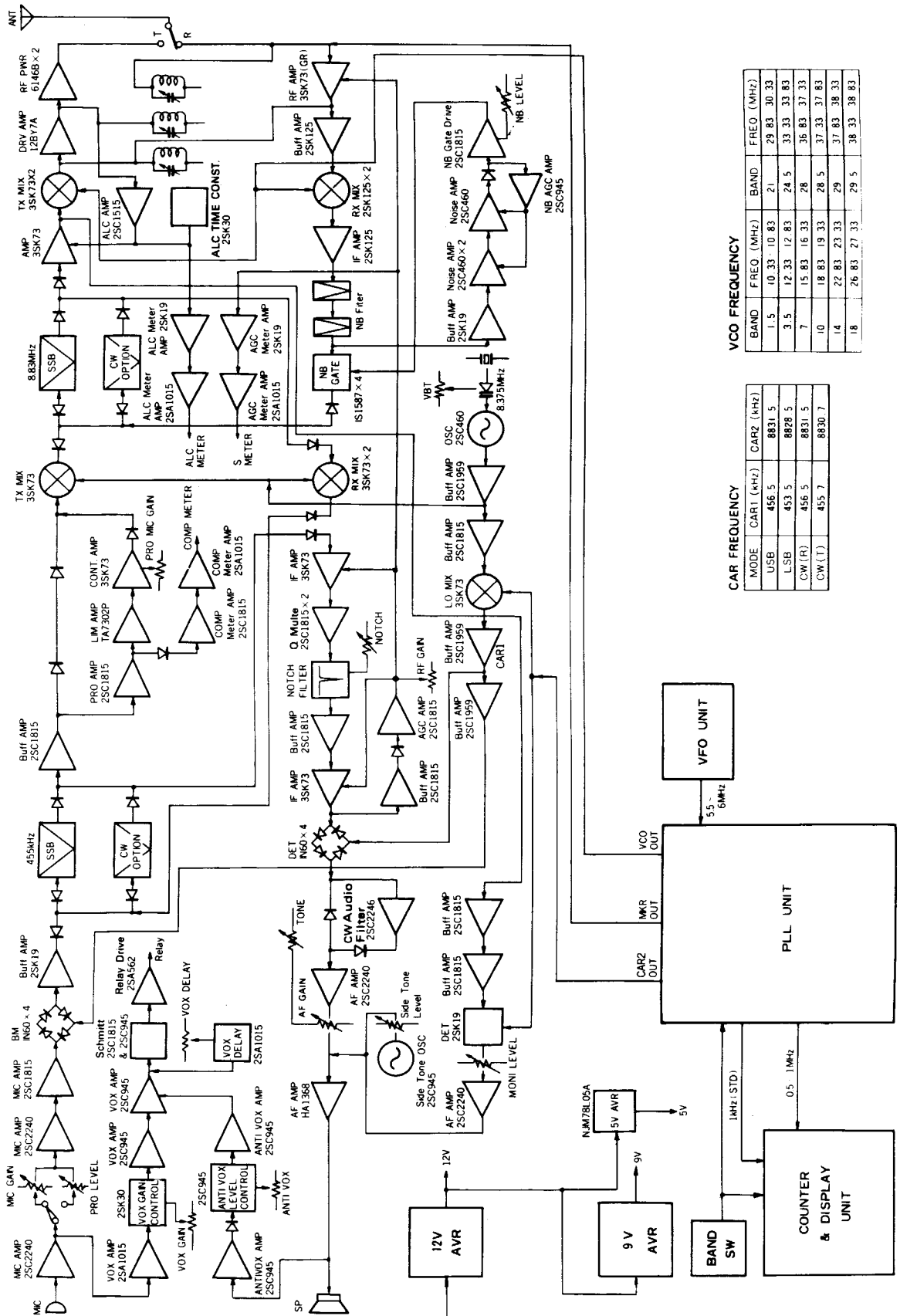


Bottom View



Top View

TS-830S BLOCK DIAGRAM



VCO FREQUENCY

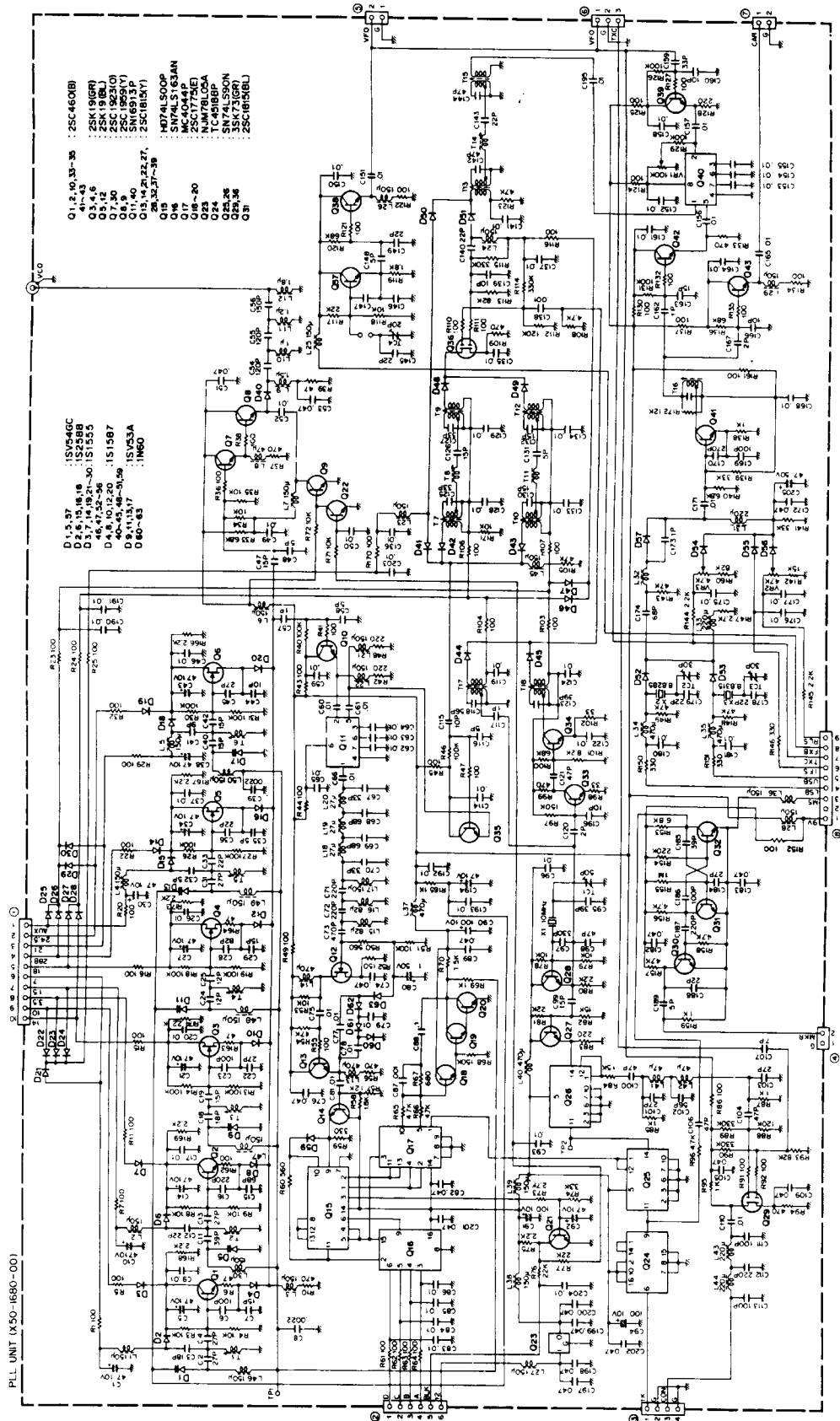
BAND	FREQ. (MHz)	BAND	FREQ. (MHz)
1-5	10.33 - 10.83	21	29.83 - 30.33
3-5	12.33 - 12.83	24-5	33.33 - 33.83
7	15.83 - 16.33	28	36.83 - 37.33
10	18.83 - 19.33	28-5	37.33 - 37.83
14	22.83 - 23.33	29	37.83 - 38.33
18	26.83 - 27.33	29-5	38.33 - 38.83

CAR FREQUENCY

MODE	CAR1 (kHz)	CAR2 (kHz)
USB	456.5	8831.5
LSB	453.5	8828.5
CW(R)	456.5	8831.5
CW(T)	455.7	8830.7

TS-830S SCHEMATIC DIAGRAM

PLL UNIT (X50-1680-00)



TS-830S SCHEMATIC DIAGRAM

P IF UNIT (X48-1290-00)

